

HV-Symbol



FTLogo\_med



LeitOn\_med



HV LV

4mm

normally open switch and button cell on sidepanel

to master pcb

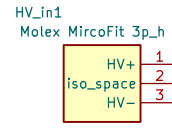
current signal filter on master pcb  
fg -3db = 19.4 Hz  
R = 1 k  
C = 8.2 µF

temp signal filter on master pcb  
fg -3db = 10.3 Hz  
R = 330  
C = 47 µF

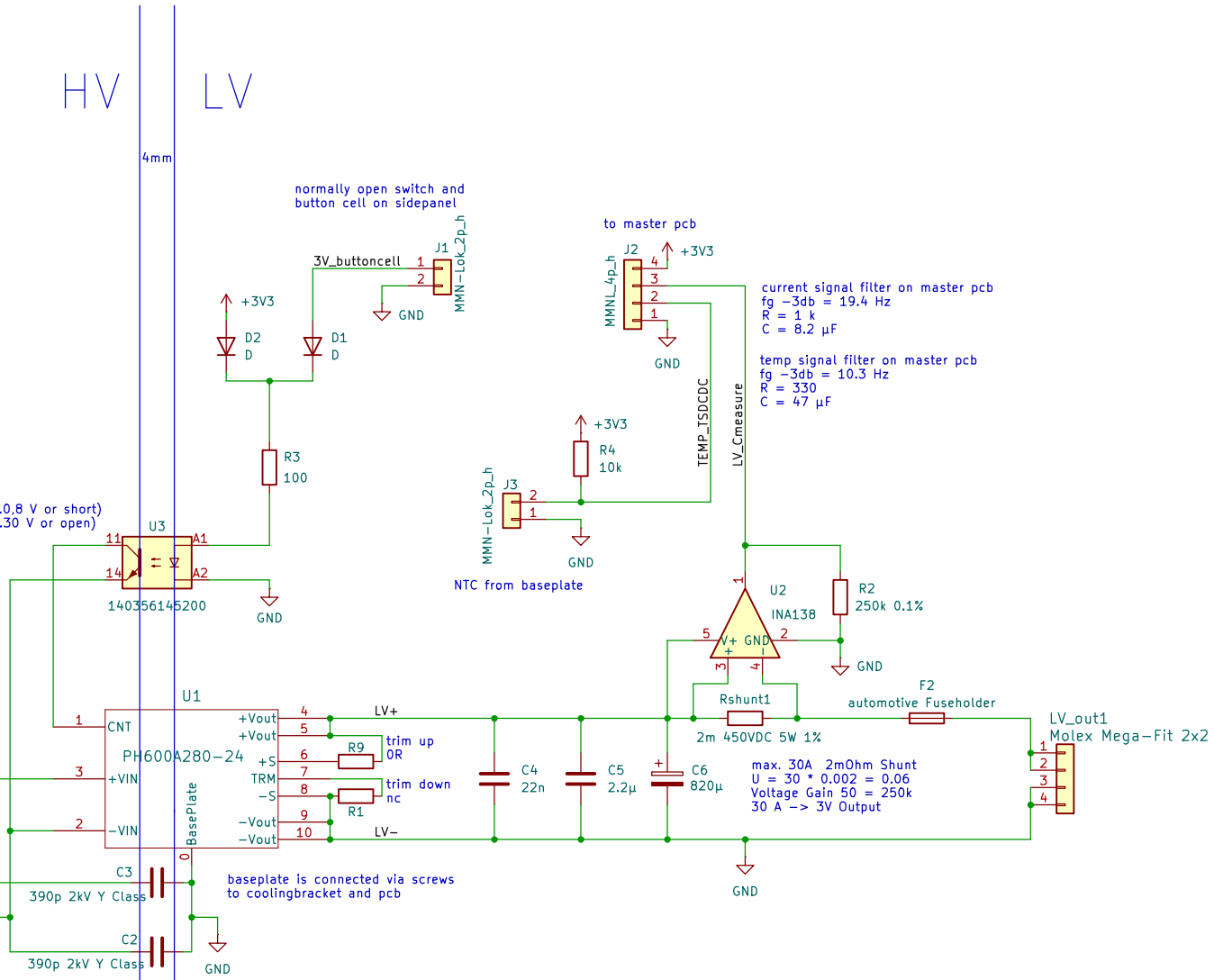
ON - L (0...0.8 V or short)  
OFF - H (4...30 V or open)

NTC from baseplate

$2,5 \text{ V} * 96 = 240 \text{ V}$   
 $675 \text{ W} / 240 \text{ V} = 2,81 \text{ A}$   
bigger fuse for potential inrush current



HV+ HV -  
battery side of AIRs  
after main shunt, so overall  
current monitoring is not affected



Sheet: /  
File: TDK\_DCDC\_pcb.kicad\_sch

**Title: TS-DCDC**

Size: A4 Date: 2024-12-12  
KiCad E.D.A. 8.0.6

Rev: 0.5  
Id: 1/1